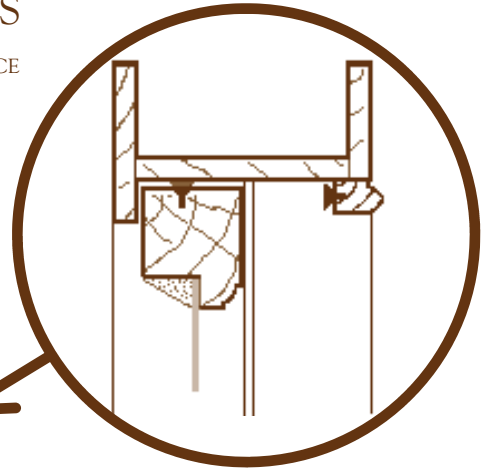
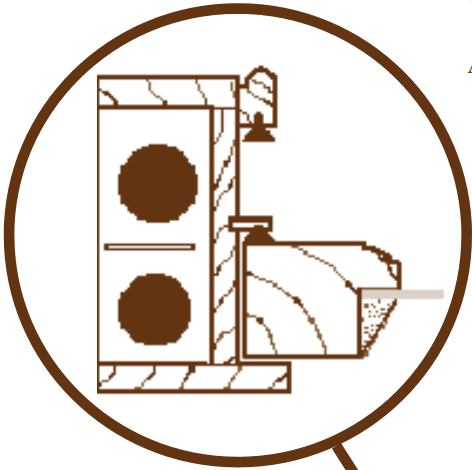
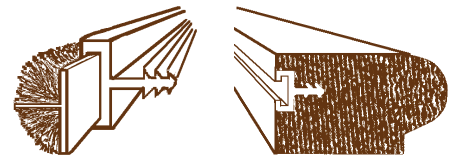
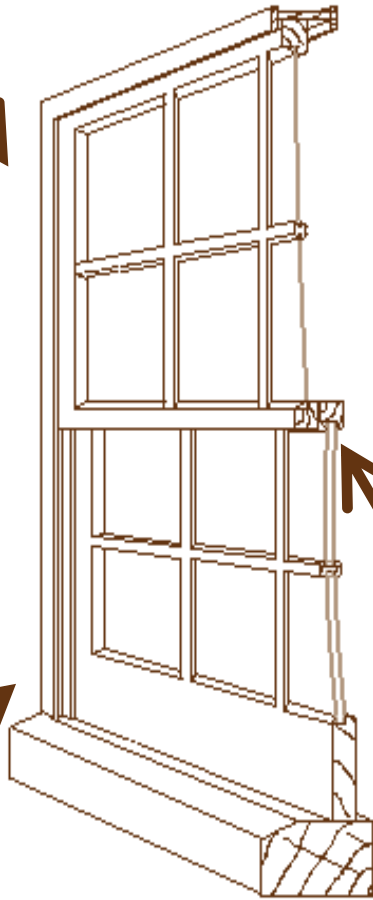


WEATHERSEALS

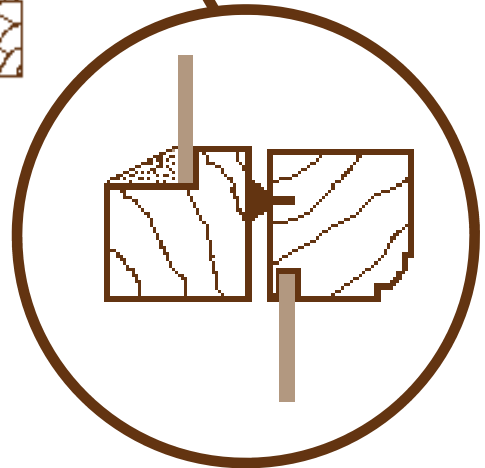
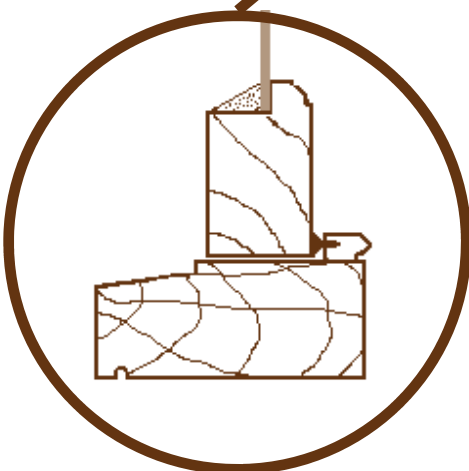
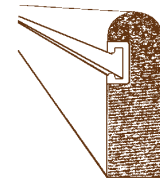
AIR PENETRATION RESISTANCE
& WATER TIGHTNESS TEST
TO BS 6375 & BS 5368



Increased comfort
and warmth with
full functionality
restored to your
windows.



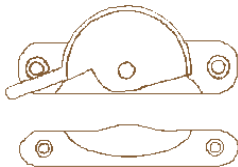
TRADITIONAL TIMBER PROFILES WITH
BUILT IN WEATHERSEALS.



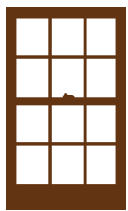
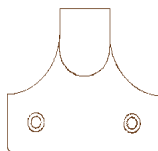
Our Recondition service is designed to leave your windows fully functioning, as they were intended, but without the age old problems of cold draughts and rattles. All of our seals are unobtrusive, so as not to detract from the charm of your original box sash windows. A wide range of glazing options are also available to improve security, privacy or noise intrusion

STEP BY STEP

- ◆ Once the dust sheets are adequately protecting your property, the sashes and weights are removed.
- ◆ Any necessary repair or re-glazing work is undertaken.
- ◆ The inner face of the box is prepared and repainted with a quick drying, low odour paint.
- ◆ The sashes are inspected and any loose joints secured & filled.
- ◆ Sashes are machined to accept our concealed, discreet weatherseals at the head and meeting rail.
- ◆ The weighting mechanism is balanced and adjusted, pulley wheels oiled and replacement long lasting cords installed.
- ◆ When re-hanging, the sashes are resized as required to leave the meeting rails flush.
- ◆ Replacement wooden beads with an integral weatherseal are fitted ensuring a low friction, high performance seal.
- ◆ Servicing of the catch or a wide selection of replacement hardware is available.
- ◆ Security locks and can be fitted to order.
- ◆ Once the clearing and vacuuming work is complete, you will be asked to inspect your fully restored windows.

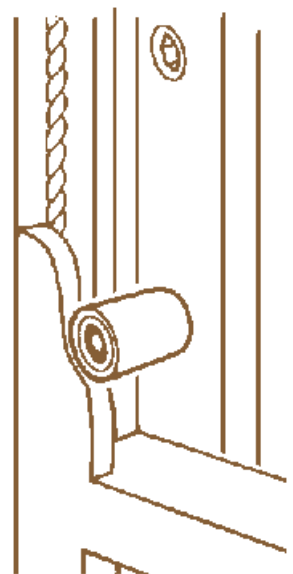
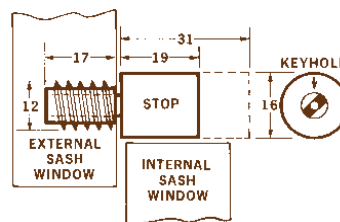


REPLACEMENT WINDOW FURNITURE



Sash
Window
Specialist

SECURITY STOPS
Provide a secure ventilation gap by restricting the opening area—also suitable as a child lock. Key required to remove.



“ADVANCED SOLUTIONS FOR HERITAGE WINDOWS”